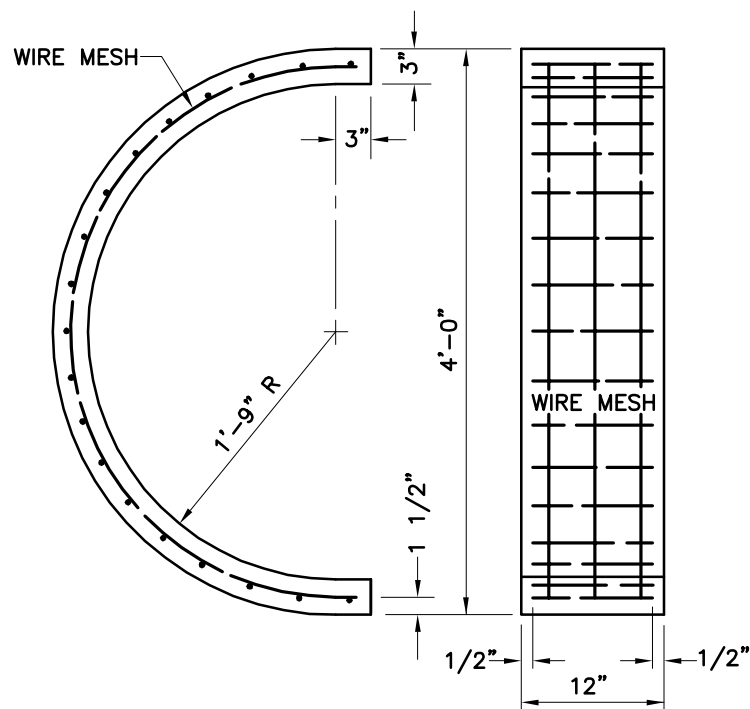
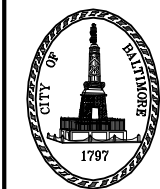


"D" SECTION



"C" SECTION

NOTE:  
 CONCRETE SHALL BE MIX 3.  
 WIRE MESH SHALL BE 4"x4" NO. 6 WIRE.



APPROVED:  
*[Signature]*  
 HEAD, BUREAU OF WATER AND WASTEWATER  
*[Signature]*  
 DIRECTOR, DEPARTMENT OF PUBLIC WORKS

CITY OF BALTIMORE  
 DEPARTMENT OF PUBLIC WORKS  
 BUREAU OF WATER AND WASTEWATER

DETAIL OF  
 LARGE SECTIONAL CONCRETE VAULT  
 ("C" & "D" SECTIONS)

ISSUED	REVISED	REVISED
3 / 2008		
<b>STANDARD NO. BC 871.01</b>		
SCALE : NONE		SHEET 3 OF 4