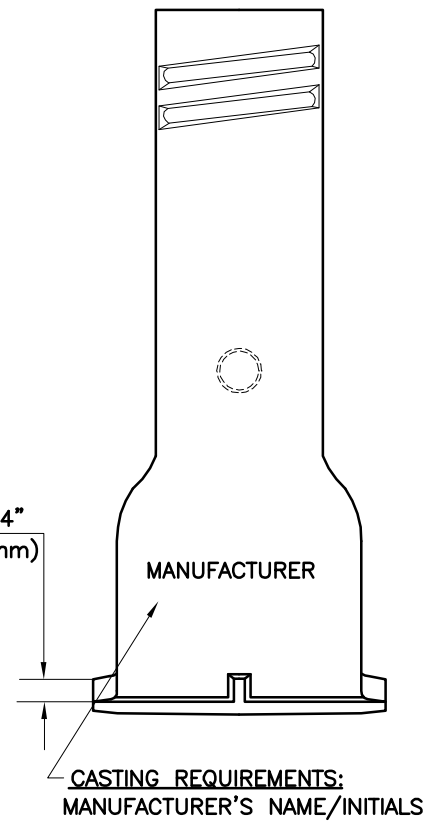
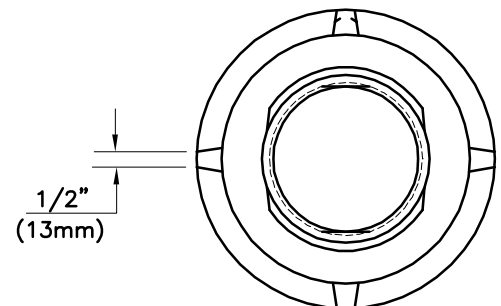


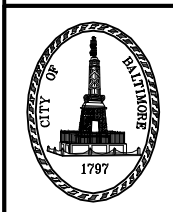
SECTION


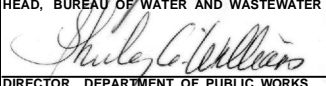


SIDE VIEW



BOTTOM VIEW



APPROVED :

 HEAD, BUREAU OF WATER AND WASTEWATER

 DIRECTOR, DEPARTMENT OF PUBLIC WORKS

CITY OF BALTIMORE
 DEPARTMENT OF PUBLIC WORKS
 BUREAU OF WATER AND WASTEWATER
 7 1/2" ROADWAY BOX BOTTOM

ISSUED	REVISED	REVISED
3 / 2008		
STANDARD NO. BC 872.01		
SCALE : NONE		SHEET 2 OF 6