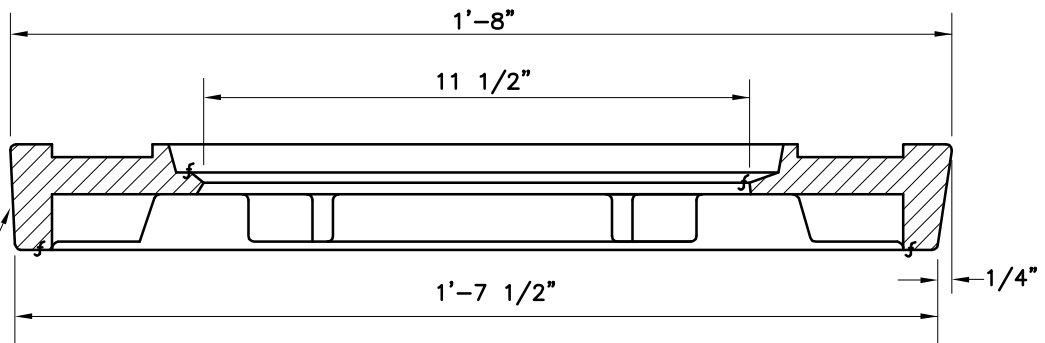
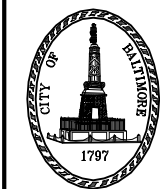


PLAN



SECTION A-A

SEE SECTION B-B FOR DETAILS.



APPROVED :
[Signature]
 HEAD, BUREAU OF WATER AND WASTEWATER
[Signature]
 DIRECTOR, DEPARTMENT OF PUBLIC WORKS

CITY OF BALTIMORE
 DEPARTMENT OF PUBLIC WORKS
 BUREAU OF WATER AND WASTEWATER

18" X 12" METER FRAME ADAPTER

ISSUED	REVISED	REVISED
3 / 2008		
STANDARD NO. BC 874.01		
SCALE : NONE		SHEET 1 OF 2