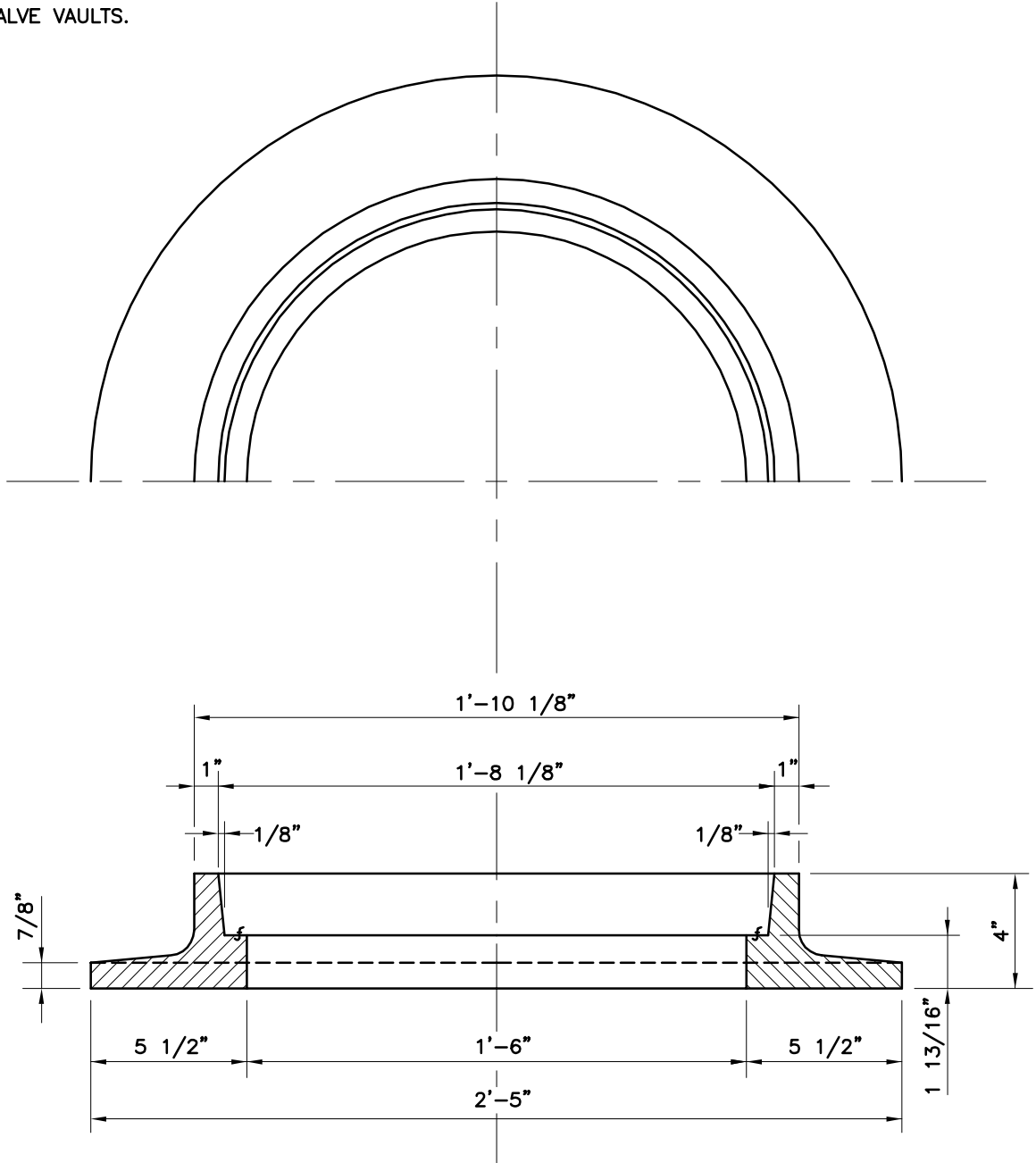


FOR USE ON WATER METER &  
WATER VALVE VAULTS.



APPROVED :  
*[Signature]*  
HEAD, BUREAU OF WATER AND WASTEWATER  
*[Signature]*  
DIRECTOR, DEPARTMENT OF PUBLIC WORKS

CITY OF BALTIMORE  
DEPARTMENT OF PUBLIC WORKS  
BUREAU OF WATER AND WASTEWATER  
  
STANDARD 18" MANHOLE FRAME

ISSUED	REVISED	REVISED
3 / 2008		
<b>STANDARD NO. BC 875.01</b>		
SCALE : NONE		SHEET 2 OF 2