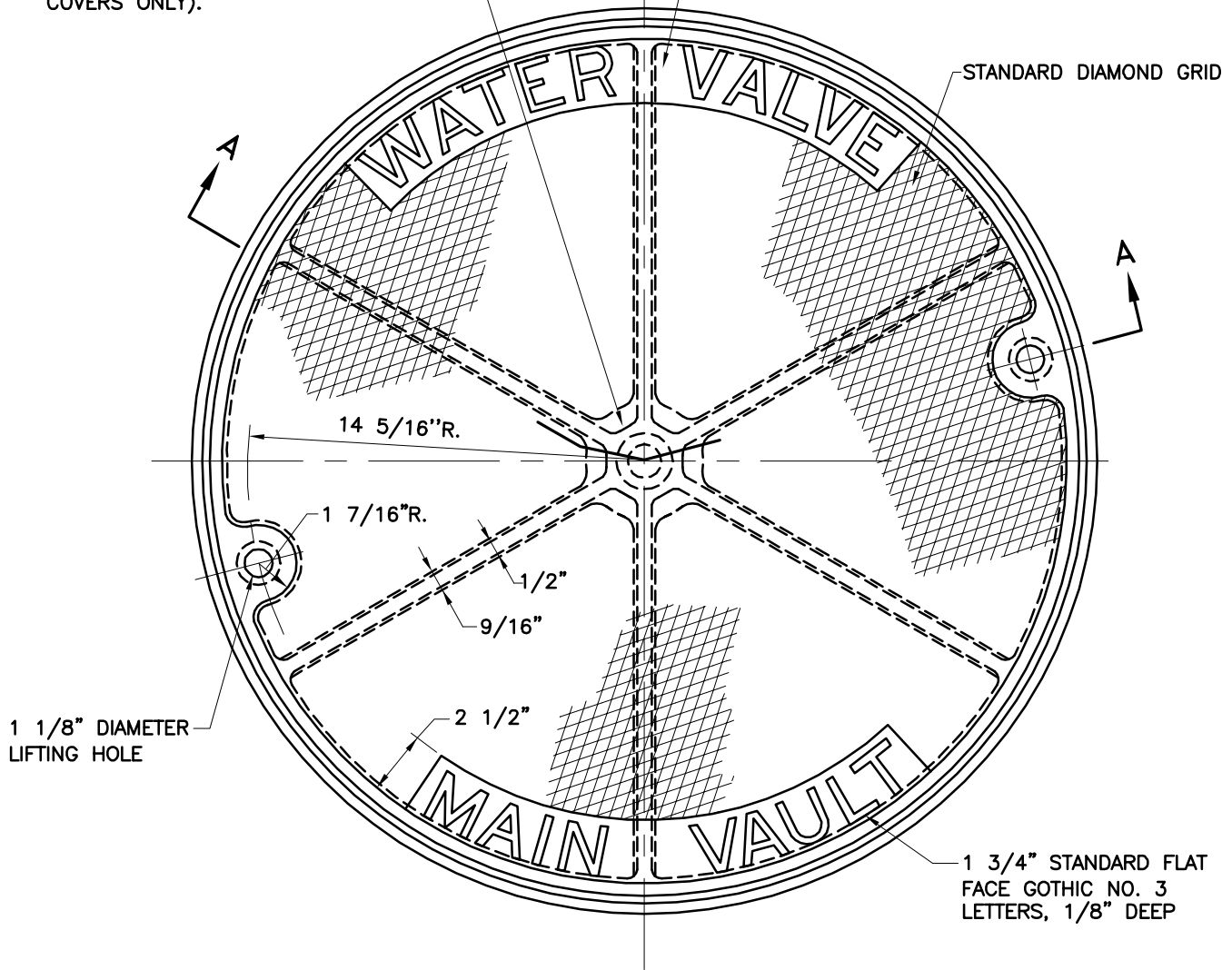


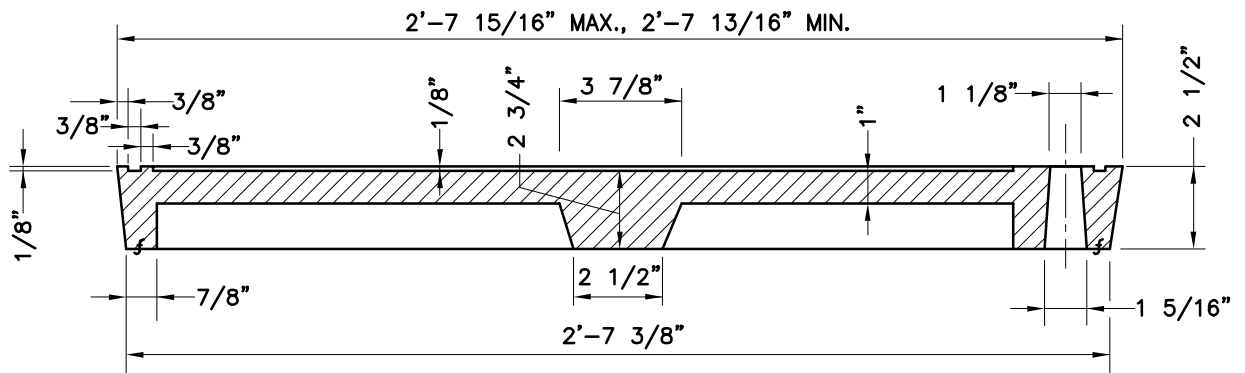
PROVIDE HOLE FOR LOCKING BOLT WHEN REQUIRED (SANITARY AND STORM DRAIN COVERS ONLY).

PLAQUES MAY ALSO READ "WATER METER", "WATER VALVE" OR "WATER VALVE-DIVISION". REMAINING PLAQUE AREAS TO BE STANDARD DIAMOND GRID.




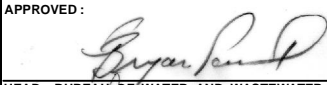
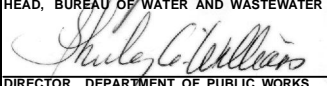
1 1/8" DIAMETER LIFTING HOLE

1 3/4" STANDARD FLAT FACE GOTHIC NO. 3 LETTERS, 1/8" DEEP



SECTION A-A

THIS COVER IDENTICAL WITH STANDARD 30" SANITARY AND STORM DRAIN COVERS (EXCEPT FOR 1" DIAMETER PERFORATIONS IN STORM DRAIN COVERS).

	APPROVED:  HEAD, BUREAU OF WATER AND WASTEWATER	CITY OF BALTIMORE DEPARTMENT OF PUBLIC WORKS BUREAU OF WATER AND WASTEWATER	ISSUED	REVISED	REVISED
	 DIRECTOR, DEPARTMENT OF PUBLIC WORKS		3 / 2008		
	STANDARD 30" MANHOLE COVER - WATER			STANDARD NO. BC 877.01	
			SCALE: NONE	SHEET 1 OF 2	