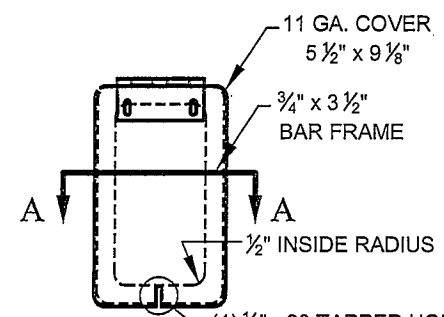
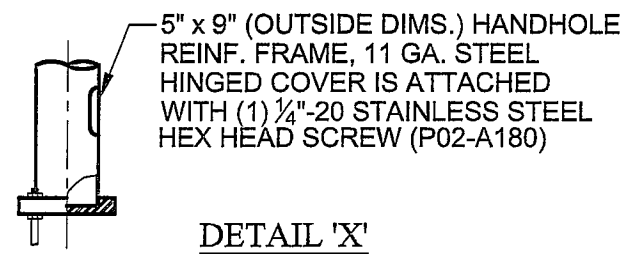


- NOTE:
1. THREE SETS OF DOUBLE BOLT POLE SIMPLEX FITTINGS SHALL BE LOCATED AT 90°, 180° AND 270° COUNTER CLOCKWISE FROM HANDHOLE ON 27'-6" GALVANIZED STEEL MAST ARM POLES.
  2. SIMPLEX FITTINGS ARE NOT REQUIRED FOR THE 21'-0" GALVANIZED AND 25'-0" BRONZED ROUND MAST ARM POLES.
  3. A COVER PLATE SHALL BE SUPPLIED FOR ALL SIMPLEX FITTINGS.
  4. A POLE GROUNDING LUG SHALL BE PROVIDED AT THE HANDHOLE.

DIMENSION SCHEDULE				
	21 FOOT LIGHT DUTY	28 FOOT LIGHT DUTY	21 FOOT HEAVY DUTY	28 FOOT HEAVY DUTY
A	N/A	28'	N/A	28'
B	21' 0"	N/A	21' 0"	N/A
C	20' 0"	20' 0"	20' 0"	20' 0"
D*	10 5/8"	10 5/8"	14 1/8"	14 1/8"
E*	15 5/8"	15 5/8"	17 1/2"	17 1/2"
F*	15"	15"	20"	20"

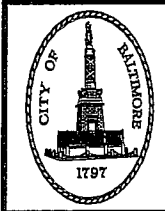
\* SEE SHEET 3 OF 3



FOR SECTION A-A SEE BC 880.02

(1) 1/4" - 20 TAPPED HOLES FOR 1/4" STAINLESS STEEL HEX HEAD SCREWS

**HANDHOLE COVER**  
SCALE: 1 1/2" = 1'-0"



APPROVED:

*Primal Dewh...*

DIVISION CHIEF, TRANSPORTATION ENGINEERING AND CONSTRUCTION

*Khali...*

DIRECTOR, DEPARTMENT OF TRANSPORTATION

CITY OF BALTIMORE  
DEPARTMENT OF TRANSPORTATION  
TRANSPORTATION ENGINEERING AND CONSTRUCTION

**GALVANIZED STEEL MAST ARM POLE**

ISSUED	REVISED	REVISED
8 / 2010		

STANDARD NO.  
BC 880.06-1

SCALE: NONE SHEET 1 OF 3