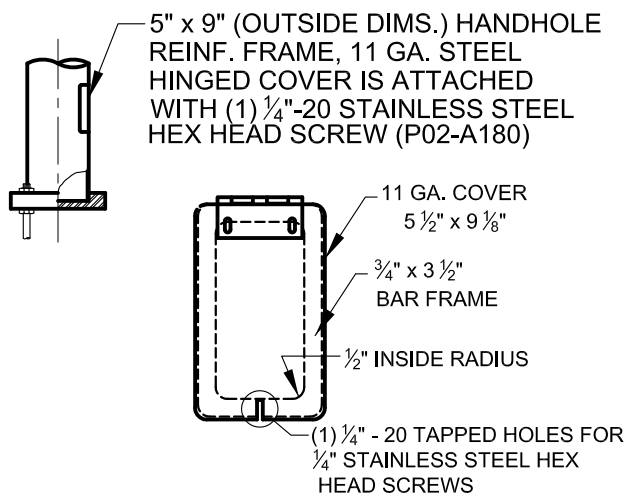

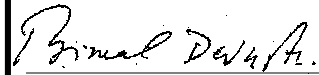
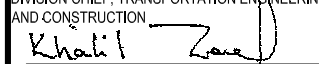


TYPICAL DRILLING DETAIL
FOR
LUMINAIRE MAST ARM LOCATION



HANDHOLE DETAIL
SCALE: 1 1/2" = 1'-0"

NOTE:
A 1/2" POLE GROUNDING LUG SHALL BE PROVIDED AT HANDHOLE.

	APPROVED:  DIVISION CHIEF, TRANSPORTATION ENGINEERING AND CONSTRUCTION  DIRECTOR, DEPARTMENT OF TRANSPORTATION	CITY OF BALTIMORE DEPARTMENT OF TRANSPORTATION TRANSPORTATION ENGINEERING AND CONSTRUCTION	ISSUED 8 / 2010	REVISED	REVISED
	INNER HARBOR TYPE SQUARE STEEL POLES & MAST ARMS		STANDARD NO. BC 880.09-3		
			SCALE : NONE	SHEET 3 OF 4	