

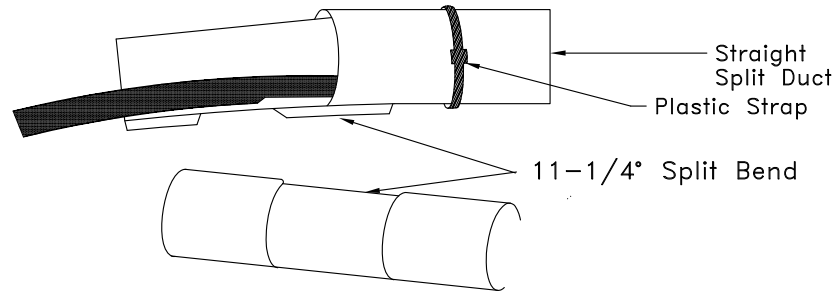
ADAPTING PLASTIC DUCT TO OTHER DUCT MATERIALS

3. Installing Split Duct Bends

For handling curves in the duct run or avoiding obstructions when enclosing existing cable, split $11\text{-}1/4^\circ$ bends provide the flexibility for solving most field situations. By alternating bends with short lengths of straight split duct, it is possible to construct curves of almost any radius.

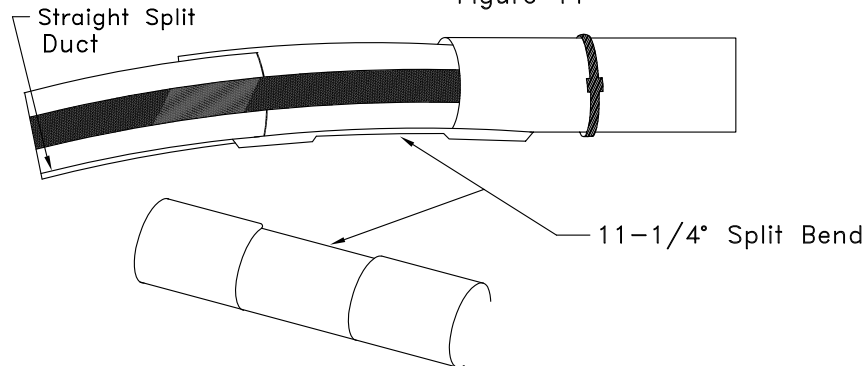
- a. Place bottom half of the bend under the cable and under the end of the straight split duct section which has already been joined and strapped (See Figure 10).

Figure 10



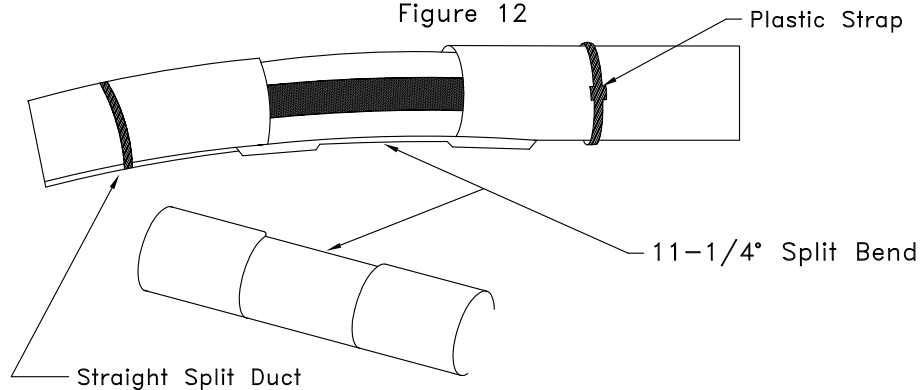
- b. The bottom half of the second split duct section is then put in place at the other end of the bend (See Figure 11).

Figure 11



- c. The top half of the second split duct section is then put in place and securely strapped or taped. Position strap about 6 inches from end of duct (See Figure 12).

Figure 12



APPROVED:

Richard J. Baker
CHIEF, CONDUIT DIVISION
Khaliq Zare
DIRECTOR, DEPARTMENT OF TRANSPORTATION

CITY OF BALTIMORE
DEPARTMENT OF TRANSPORTATION
CONDUIT DIVISION

**ADAPTING PLASTIC DUCT
TO OTHER DUCT MATERIALS**

ISSUED	REVISED	REVISED
8 / 2010		

STANDARD NO.
BC 892.01-6

SCALE: NONE

SHEET 6 OF 10